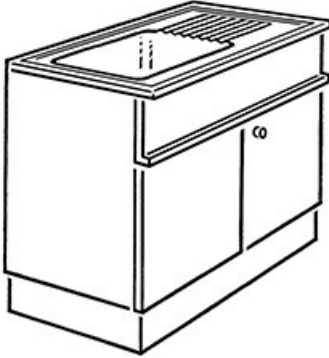


Product Sheet

10.03.2026



Model series	Scienza-Master
Description	Laboratory sink
Model	1282 ST
ID	68582
Width/Depth/Height	120/65/90.5 cm
Weight	103 kg

120/60(65)/90.5 cm Worktop 120/65/3.5 cm, large-surface porcelain stoneware with drain grooves and all around beaded-edge tiles, porcelain stoneware - undermount sink on the left or right, interior dimensions 51/36/28 cm, at the top a sink cover 20 cm high, underneath 2 revolving doors with drilled stop damping, aperture angle 270°, hinges powder coated with automatic hold-closed function, handle olive, waste collector, fitted shelf, plastic plinth panel with bottom-sided sealing lip.

Changes and errors reserved. Illustrations similar.