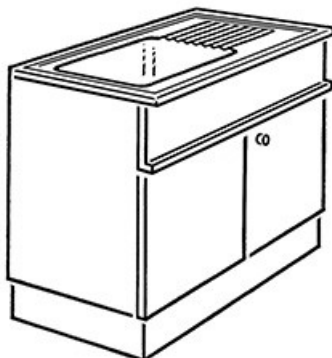


Product Sheet

10.03.2026



Model series	Scienza-Master
Description	Laboratory sink
Model	1282 PP
ID	68586
Width/Depth/Height	120/60/91 cm
Weight	65 kg

120/56(60)/91 cm Drainboard with sink of polypropylene 120/60/4 cm, basin made of polypropylene on the left or right, interior dimensions 40/40/25 cm, at the top a sink cover 20 cm high, underneath 2 revolving doors with drilled stop damping, aperture angle 270°, hinges powder coated with automatic hold-closed function, handle olive, waste collector, fitted shelf, plastic plinth panel with bottom-sided sealing lip.

Changes and errors reserved. Illustrations similar.